

# K4 Swing Check Valve

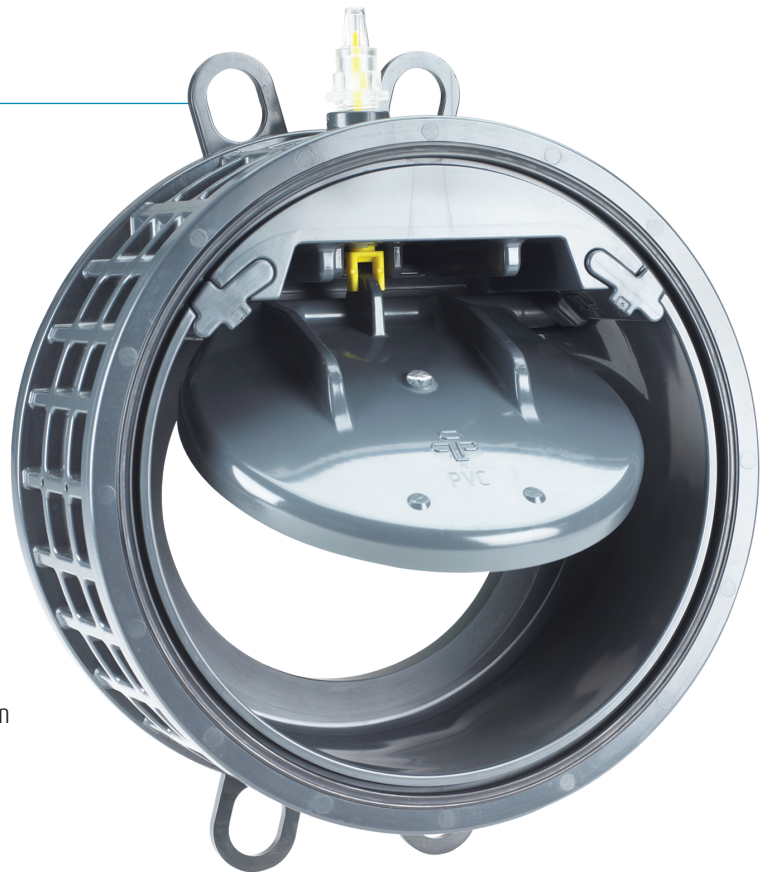
**PVC, PP, PPGR (glass reinforced), PVDF**

**SIZES:** 3" - 10" (DN80 to DN250)

**SEALS:** EPDM or Viton

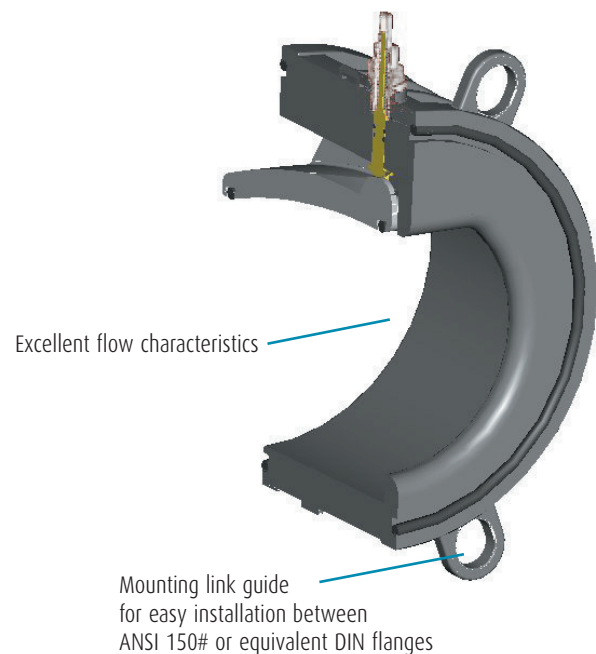
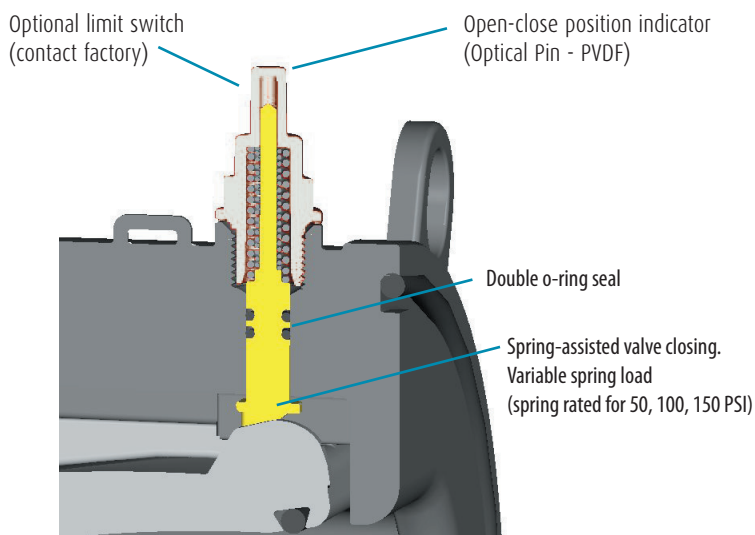
## Features:

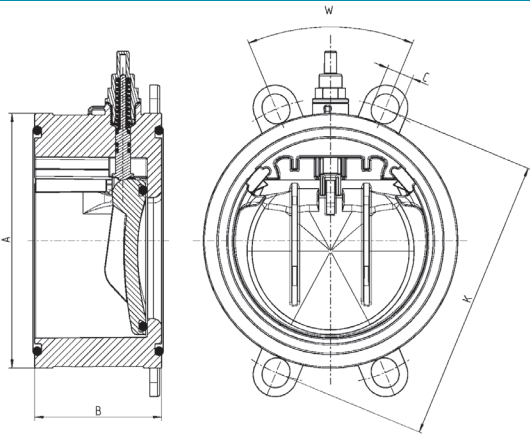
- Higher flow rates and lower pressure drops compared to 'thin wafer' design
- Energy efficient (less head loss)
- Quad O-Ring ensures tight seal on all types of flanges
- Non-wetted SS spring
- No spacer or flange gaskets required
- Can be mounted vertically or horizontally
- Nested springs included allow field settings for 50 psi, 100 psi or 150 psi
- Mounting link guide holes allow easy installation between ANSI 150# or equivalent size DIN flanges
- Materials are NSF listed



## Sample Specifications

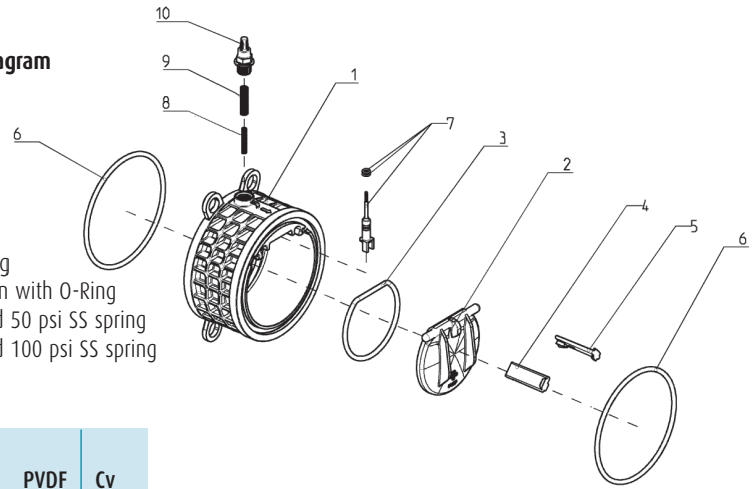
- All Praher K4 series Swing Check Valve shall be of solid thermoplastic construction for the body (PVC, PP, Glass-Reinforced PP or PVDF).
- The flapper disc shall be of Polyvinyl Chloride or Polypropylene or Polyvinylidene Fluoride construction, and the body and flapper disc shall be designed with integral matching stiffened vanes so as to minimize the flapper disc from breaking upon rapid closing of the closing vane.
- The valve shall be fitted with an open-close position visual indicator (optical pin) on top that indicates the valve being in the open position when the yellow indicator is visible.
- The valve shall be spring loaded and shall have two interchangeable nested springs with three different load tensions rated for 50, 100, and 150 psi pressures.
- The valve shall also be fitted with four integral mounting links located on external circumference of the valve body for connection to ANSI/DIN/JIS/BS flange connections.





Parts List/Diagram

1. Body
2. Disc
3. Disc O-Ring
4. Left post
5. Right post
6. Body O-Ring
7. Indicator pin with O-Ring
8. Non-wetted 50 psi SS spring
9. Non-wetted 100 psi SS spring
10. Cap, clear



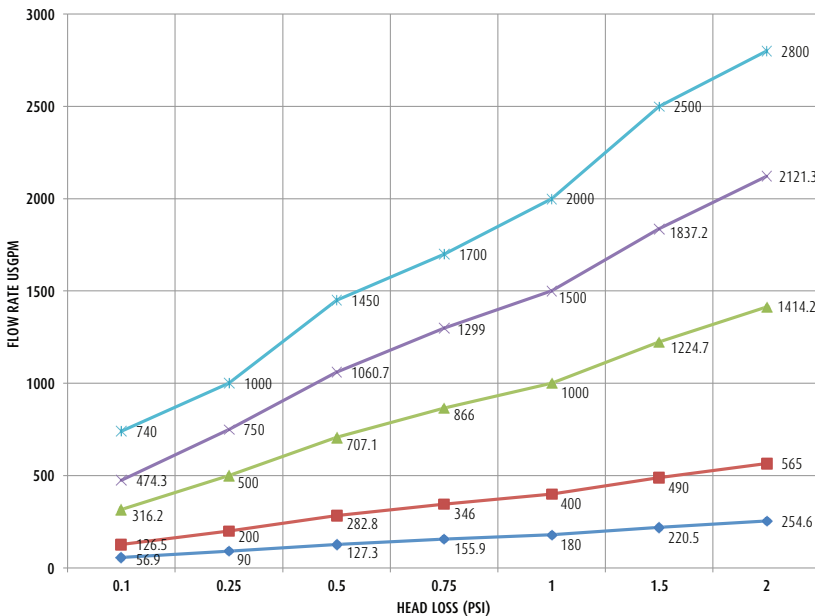
DIMENSIONS: INCHES							WEIGHTS: LB			
Size	DN Bore	A	B	C	K	W°	PVC	PP	PVDF	Cv
3"	80	5.04	2.80	0.79	5.91 - 6.30	45	1.60	1.35	1.80	180
4"	100	6.10	3.15	0.79	6.89 - 7.52	45	2.25	2.00	2.65	400
6"	150	8.35	4.17	0.94	9.21 - 9.53	45	5.60	4.55	6.40	1000
8"	200	10.39	5.51	0.94	11.42 - 11.77	45	9.95	6.75	12.30	1500
10"	250	12.80	5.51	1.06	13.78 - 14.25	30	16.61	N/A	N/A	2000

Working Pressures (PSI)	PVC			PP			PPGR				PVDF			
	20°C 68°F	40°C 104°F	60°C 140°F	40°C 104°F	60°C 140°F	80°C 176°F	40°C 104°F	60°C 140°F	80°C 176°F	105°C 220°F	40°C 104°F	60°C 140°F	80°C 176°F	105°C 220°F
3"	150	130	70	90	70	58	150	130	90	45	150	130	90	45
4"	150	130	70	90	70	58	150	130	90	45	150	130	90	45
6"	150	130	70	90	70	58	150	130	90	45	150	130	90	45
8"	150	130	70	90	70	58	150	130	90	45	150	130	90	45
10"	150	130	70	90	70	58	150	130	90	45	150	130	90	45

Tightening torque of screws for flange connections

Torque (Inch Lbs.)	Size	Torque
3"	3"	157
4"	4"	174
6"	6"	348
8"	8"	479
10"	10"	522

Temperature Ranges: PVC 0 to 60°C (32° to 140° F), PP -20 to 90°C (-4 to 194°F), PPGR (-4 to 240°F), PVDF -40 to 140°C (-40 to 284°F).



Sizes	Cracking Pressures (PSI)			Sealing Pressures (PSI)
	Spring Type			
	50 psi	100 psi	150 psi	Maximum back pressure required to seal
3"	0.32	0.87	1.10	1.5
4"	0.27	0.41	0.54	1.5
6"	0.14	0.17	0.24	1.5
8"	0.01	0.08	0.09	1.5
10"	0.06	0.07	0.07	1.5

Cracking pressures without spring (PSI)

Sizes	Cracking Pressures (PSI)
3" - 10" horizontal	0.02
3" - 10" vertical	0.035

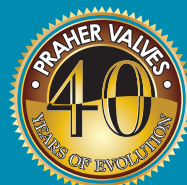
INSTALLATION PRECAUTIONS:

- No direct mounting onto a pump, bend or elbow
- Install a minimum of five times the nominal pipe diameter away from pumps, bends or elbows. (Example: Install a 4" valve 20" away from a pump discharge.)

Praher Canada Products Ltd.

Tel 705.720.2753  
 Fax 705.725.0444  
 101 Saunders Road, Barrie  
 Ontario, Canada L4N 6E7

[www.prahervalves.com](http://www.prahervalves.com)



ISO 9001-2000



Proudly Manufactured in North America and Austria

©Praher Canada Products Ltd. 1202